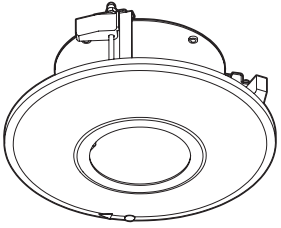


1. Accessories & Dimension

☒ Please check if all the camera and accessories are included in the package.

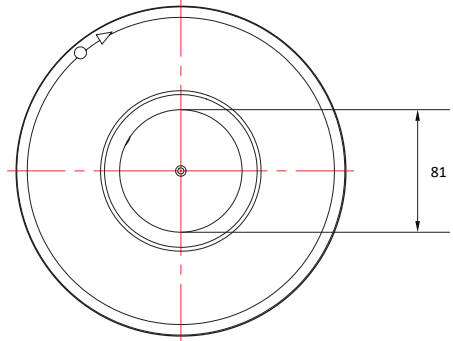
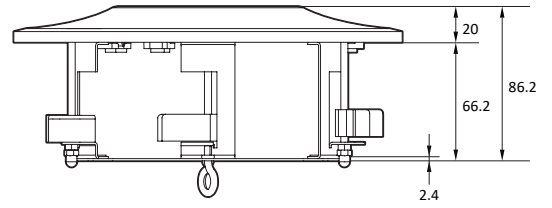


Inceiling Bracket Manual Outdoor Dome Camera

Quick Manual

Ver. 1.0 / 2021.11

Before installing and using the Camera, please read this manual carefully.
Be sure to keep it handy for future reference.



Manual

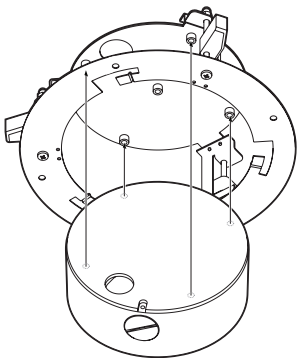


Mount Template

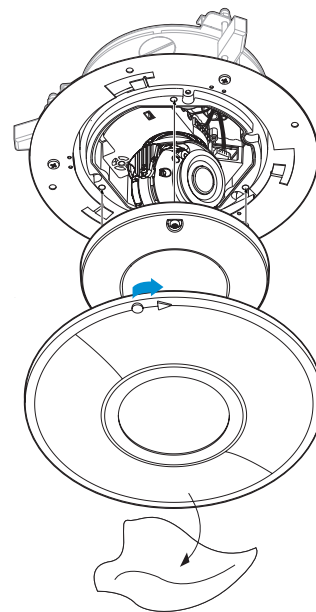


Mount Screw

2. Installation



- 1 Assemble the Camera bottom and Inceiling Bracket.
- 2 Drill a hole in the ceiling according to the template sheet.
- 3 After passing the cable through the Inceiling Bracket and Bottom case, insert the Inceiling Bracket into the hole drilled.
- 4 Turn the 3Point In-ceiling wing with a screwdriver to fix it while expanding.
- 5 Connect the cables properly and organize them according to their location.



- 6 After adjusting the camera, assemble the top case.
- 7 Attach the cover case with the magnet-attached in-sealing bracket and install it by turning it until it clicks.
- 8 Remove the camera dome cover film.