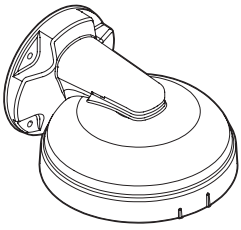


## 1. Accessories

☒ Please check if all the camera and accessories are included in the package.

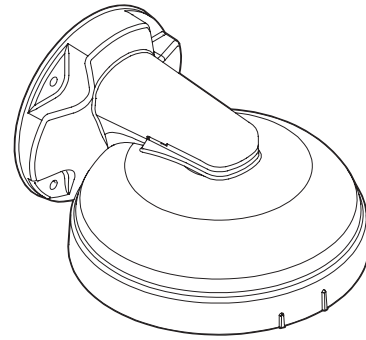


### Wall Bracket Manual Multi-Sensor Outdoor Dome Camera

#### Quick Manual

Ver. 1.0 / 2020.02

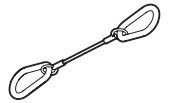
Before installing and using the Camera, please read this manual carefully.  
Be sure to keep it handy for future reference.



Mount Screw



Screw &  
Plastic Anchor-4pcs



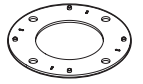
Safety Wire



Manual

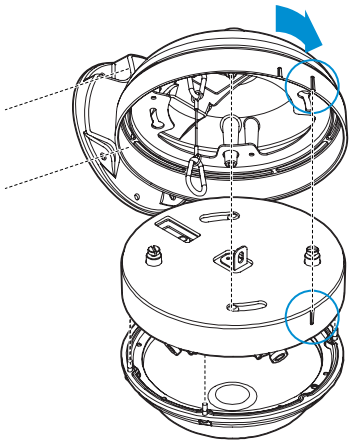


Mount Template

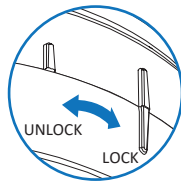


yyy

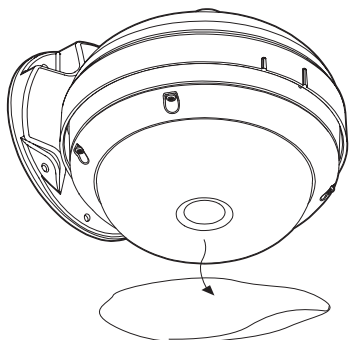
## 2. Installation



- 1 Fix it with Safety Wire on the Bottom case and fasten it to fit the joint of Bracket and Bottom case well.



- 2 Remove the Rubber cap and tighten it with a screw.



- 3 Secure the dome cover to the camera's bottom case using the torx wrench.
- 4 Remove the protective film from the camera's dome to complete the installation.

## 3. Dimension

