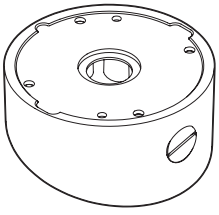


# 1. Accessories & Dimension

☒ Please check if all the camera and accessories are included in the package.

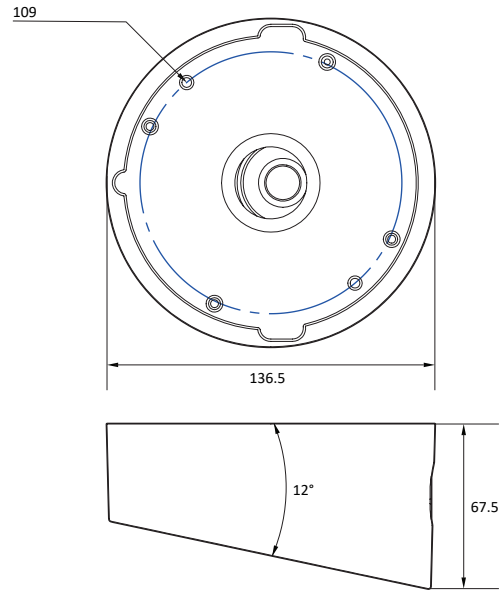


## Inclined Inceiling Mount Manual Fisheye Angle Mount Bracket

### Quick Manual

Ver. 1.0 / 2021.07

Before installing and using the Camera, please read this manual carefully.  
Be sure to keep it handy for future reference.



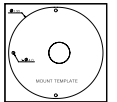
Junction Bracket  
Screw - 2pcs



Gang Plate  
Screw - 3pcs



Screw &  
Plastic Anchor - 3pcs

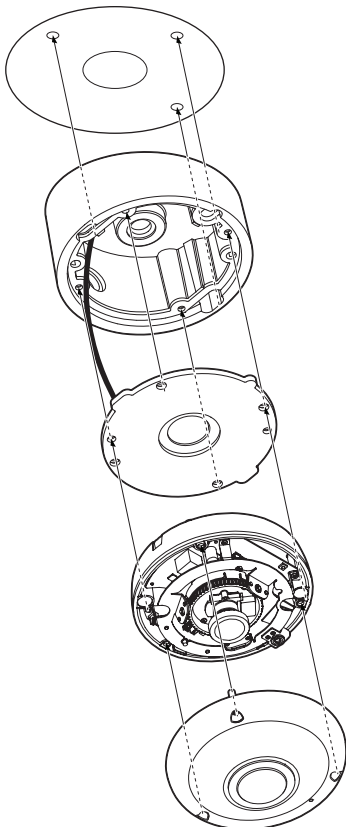


Mount Template

# 2. Installation

### Mount Template Version

- 1 Using provided template sheet, make holes on the ceiling panel in the desired location.
- 2 Install the anchor at 3POINT and fix the Wall junction bracket with screw accordingly.
- 3 After connecting the camera and cable, insert the top cover according to the shape and fasten it with a flat head screw.
- 4 Fasten the top cover and camera bottom case to the 2point hole with the enclosed screw.
- 5 Attach the top case to complete installation.



### Gang Box Version

- 1 Align the Wall junction bracket with the Gang plate No. 1 hole and fix it with the included screw.
- 2 After connecting the camera and cable, insert the top cover according to the shape and fasten it with a flat head screw.
- 3 Fasten the top cover and camera bottom case to the 2point hole with the enclosed screw.
- 4 Attach the top case to complete installation.

