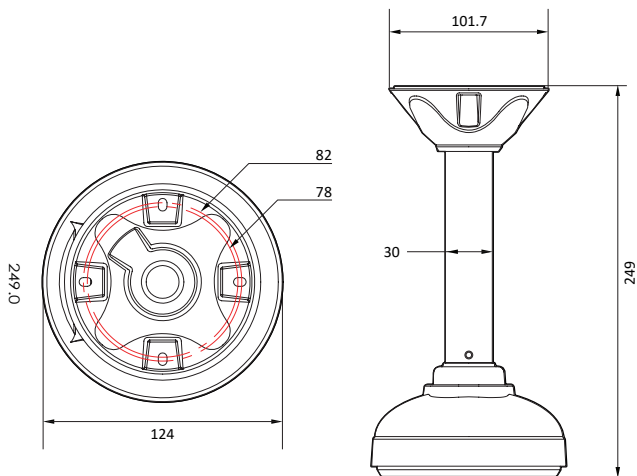


1. Dimension & Accessories



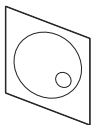
Manual



Mount Pad



Hexagonal Wrench



Mount Template



Mount
Screw 2ea



Screw &
Plastic Anchor-4pcs