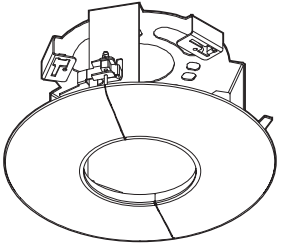


1. Accessories & Dimension

☒ Please check if all the camera and accessories are included in the package.

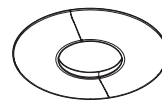
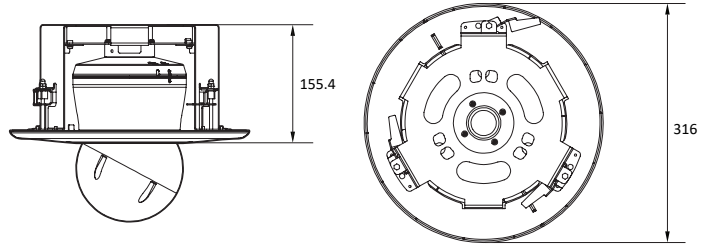


Inceiling Bracket Manual Indoor / Outdoor IR PTZ Camera

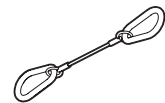
Quick Manual

Ver. 1.0 / 2020.09

Before installing and using the Camera, please read this manual carefully.
Be sure to keep it handy for future reference.



Magnetic Cover



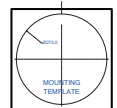
Safety Wire 2ea



Manual

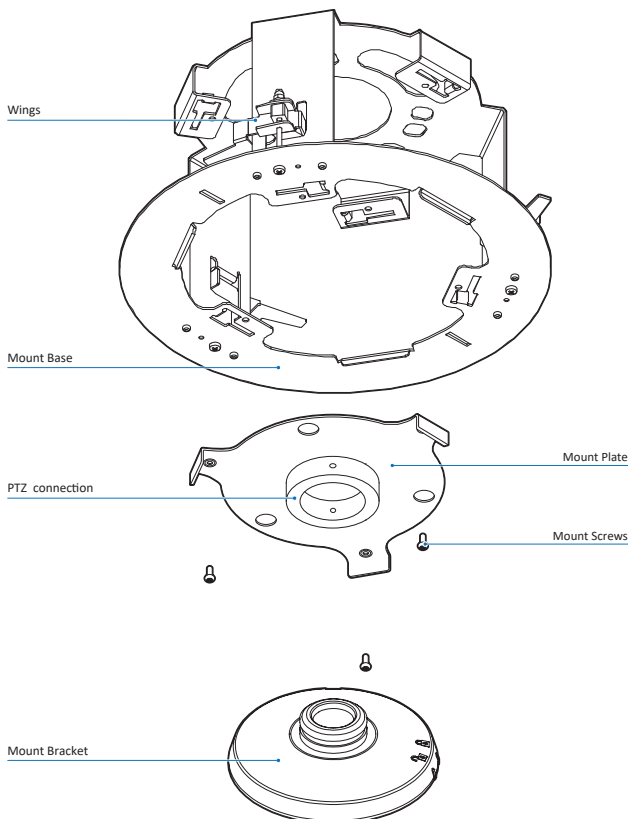


Mount Screw 2ea

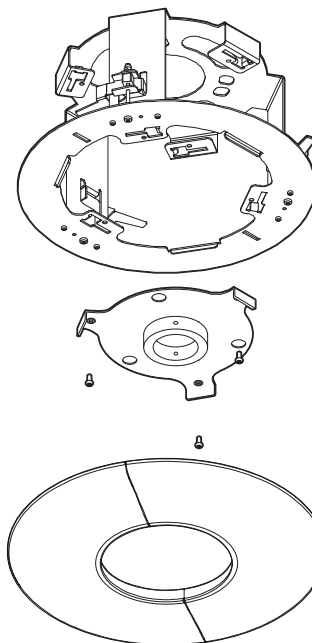


Mount Template

2. Part Name



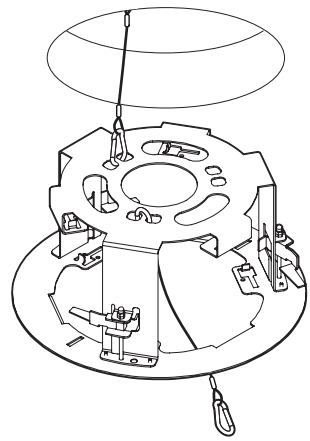
3. Disassemble the bracket



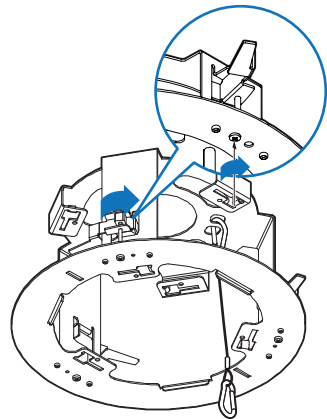
- 1 Detach the magnetic cover from the Mount Base.
- 2 Loosen the 3 mounting screws and remove the mounting plate.
- 3 After removing the mounting plate, start the installation.

- ☒ There should be as few structures as possible at the place of installation.
- ☒ Use a tilt angle of 20° or more.

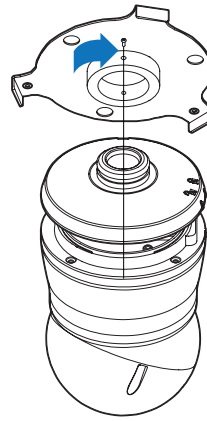
4. Installation



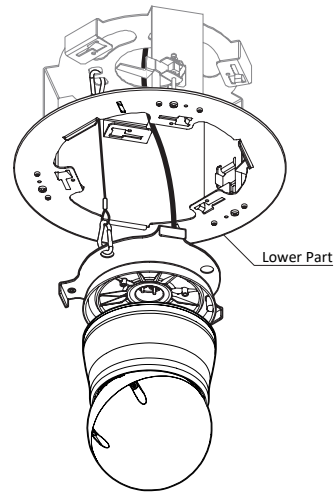
- 1 Using the template sheet, make the hole on the wall.
- 2 After installing the safety wire, also install the camera connection wire. Insert the ceiling bracket into the hole.



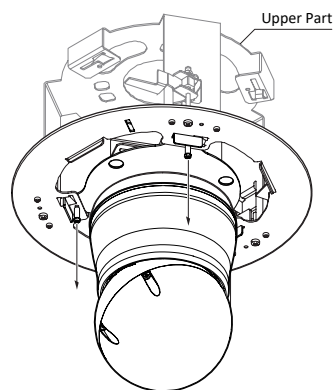
- 3 Turn the 3Point In-ceiling wing with a screwdriver to fix it while expanding.



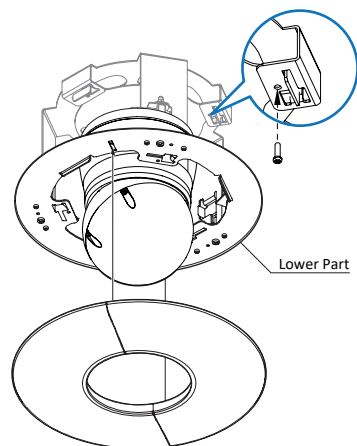
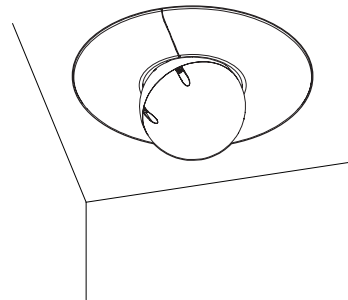
- 4 After disassembling the PTZ, turn the Mount Plate and Mount Bracket to fasten it, then fix it with 2 screws enclosed as an accessory.



- 5 After connecting the Safety wire with Mount Plate, insert the LAN cable. Hang the Mount Plate on the lower part of the Mount Base and fix it with a screw. After connecting the LAN cable, check the Mount Point and rotate the camera to complete assembly.



- 6 Move the Mount Plate hanging on the lower part of the Mount Base to the upper part and fix it with a screw.



- 7 Attach the magnet cover according to the point.