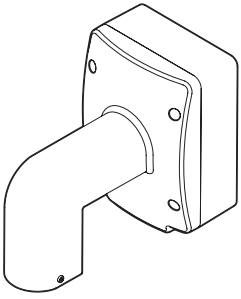


# 1. Accessories & Dimension

☒ Please check if all the camera and accessories are included in the package.

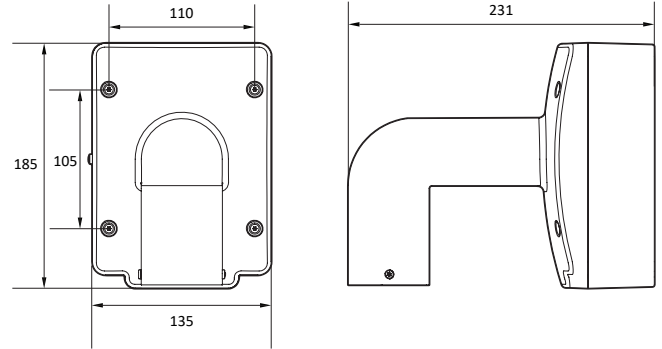


## Wall Bracket Manual Indoor / Outdoor IR PTZ Camera

### Quick Manual

Ver. 1.1 / 2021.07

Before installing and using the Camera, please read this manual carefully.  
Be sure to keep it handy for future reference.



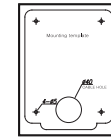
Torx Wrench



Hexagonal Wrench



Manual

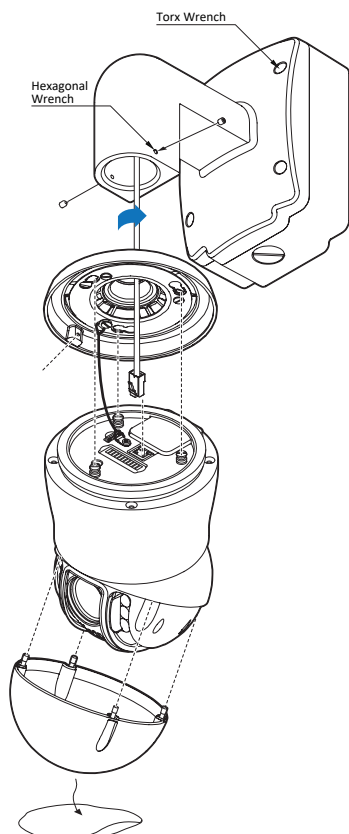


Mount Template

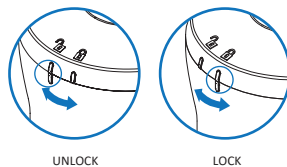


Screw &  
Plastic Anchor-4pcs

# 2. Installation



- 1 Fix the Wall Mount Bracket to wall with screw accordingly using Torx wrench.
- 2 Attach the dome cover to the camera.
- 3 Turn the camera to the Mount Bracket to attach it and secure it with the Set Screw using Hexagonal wrench.
- 4 Open the Bottom case and connect the Lan cable.
- 5 Assemble the PTZ Base and Mount cover.  
☒ Be sure to assemble the PTZ Base and Mount cover to match the Mount Point.



- 6 Secure the PTZ base and the mount cover completely with set screw using Hexagonal wrench.
- 7 Remove the dome cover protection film.