

Ceiling Bracket Manual Multi-Sensor Outdoor Dome Camera

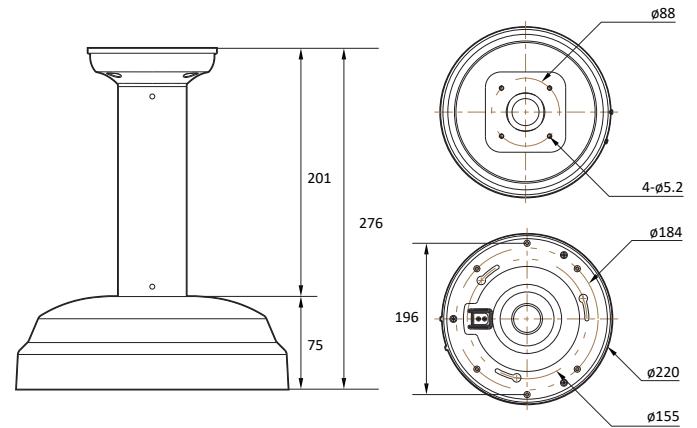
Quick Manual

Ver. 1.0 / 2021.08

Before installing and using the Camera, please read this manual carefully.
Be sure to keep it handy for future reference.

1. Dimension & Accessories

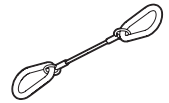
⚠ Please check if all the camera and accessories are included in the package.



Mount Screw



Screw &
Plastic Anchor-4pcs



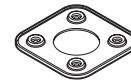
Safety Wire



Manual



Mount Template

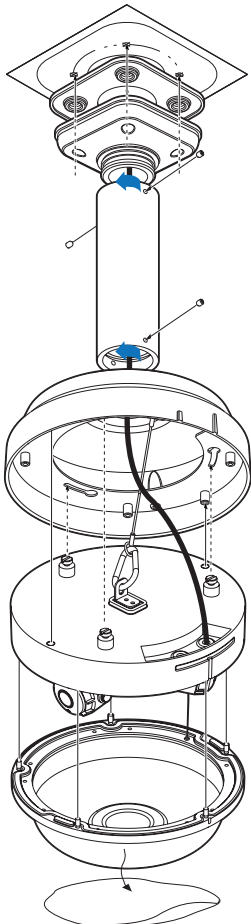


Mount Pad



Hexagonal Wrench

2. Installation



- 1 Install it on the ceiling according to the template sheet. Attach the Mount Case to the Mount Pad and secure it with screws.
- 2 Connect the pole by turning it to the Mount Case and Head. After connecting, use a hex wrench to fix it with a set screw.
- 3 Connect Safety Wire to Head and Camera.
- 4 Tighten the camera to fit the 3 holes. At this time, tighten it to fit the joint.



- 5 After tightening, secure it with two mount screws.
- 6 Secure the dome cover to the camera's bottom case using the torx wrench.
- 7 Remove the protective film from the camera's dome to complete the installation.